

- 1
- 2
- 3
- 4
- 5
- 6
- 7
- 8
- 9
- 10
- 11
- 12
- 13
- 14
- 15
- 16
- 17
- 18

**TYPES**

- Type **A**: only with retaining ring
- Type **H**: with retaining cable
- Type **K**: with ball chain

Knob

Stainless Steel AISI 316L (A4)

Hub welded

Sand-blasted matte finish.

Threaded stud / Bushing

Stainless Steel AISI 304

Retaining cable GN 111.6 (see page -) (Type A).

Stainless Steel AISI 301

Ball chain GN 111.5 (Type K).

Stainless Steel AISI 301

Retaining cable GN 111.2 (see page -) (Type H).

Stainless steel

coated with clear plastic

**FEATURES AND APPLICATIONS**

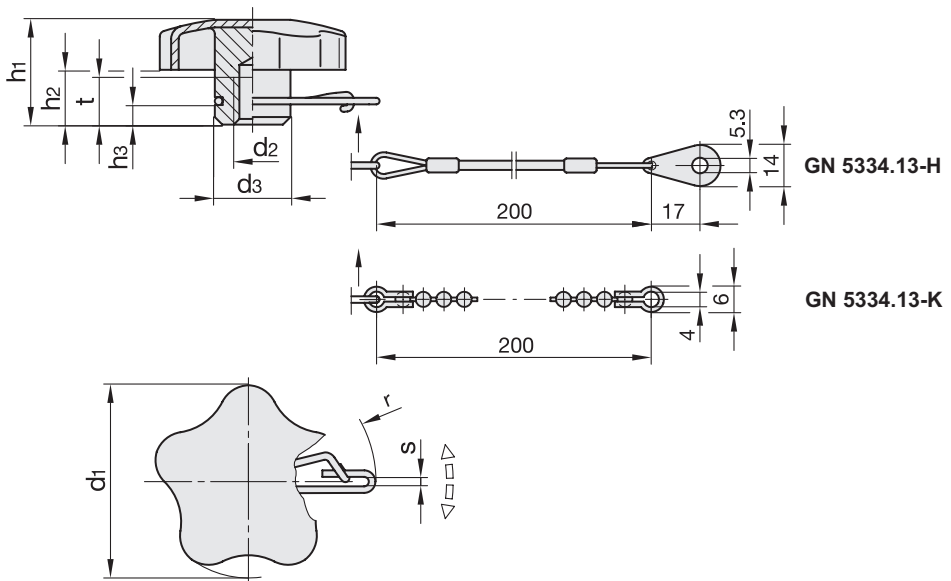
Stainless Steel-Star knobs GN 5334.13 can be captive-attached to a base element with the help of a ball chain or a retaining cable. The star knobs are supplied ready assembled (with retaining ring and ball chain or retaining cable).

**ON REQUEST**

- Ball chains / Retaining cables with other lengths
- with spiral retaining cable GN 111.4 (see page -).
- other GN / DIN standards with retaining chain or retaining cable.



**GN 5334.13-A**



Conversion Table	
1 mm = 0.039 inch	
d1	
mm	inch
40	1.57
50	1.97
60	2.36

Clamping elements

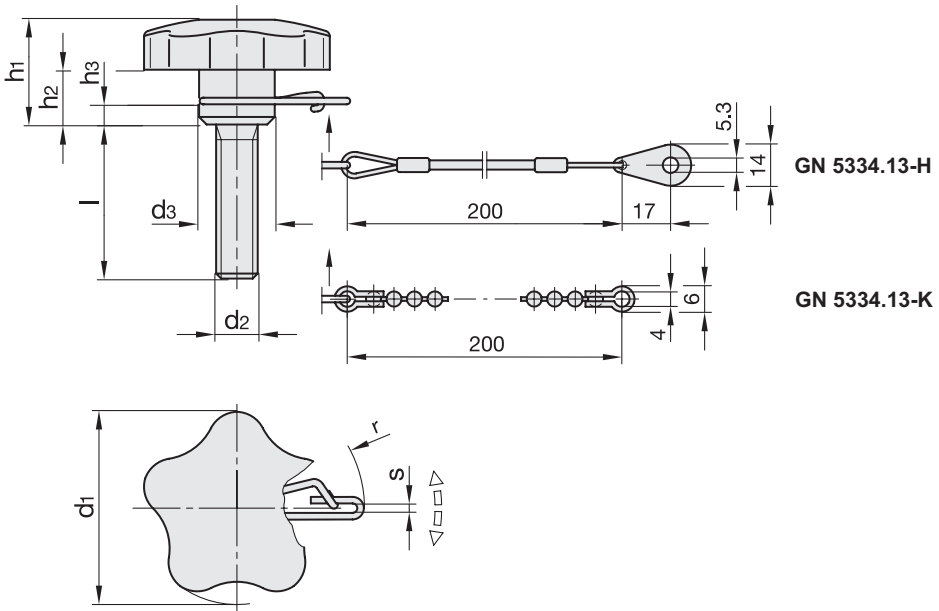
Code A	Code H	Code K	Description	d1	d2	d3	h1	h2	h3	r	s	tmin	⚖️ #
GN.64451	GN.64452	GN.64453	GN 5334.13-40-M8-*	40	M8	14	24	12	3.2	22.3	2.8	15	37
GN.64471	GN.64472	GN.64473	GN 5334.13-50-M10-*	50	M10	18	30	17	3.9	29.6	3.2	18	69
GN.64491	GN.64492	GN.64493	GN 5334.13-60-M12-*	60	M12	20	38	20	3.9	30.7	3.2	22	113

\* Complete by adding the index of the version.

# Values referred to version A.



GN 5334.13-A



Conversion Table	
1 mm = 0.039 inch	
d1	
mm	inch
40	1.57
50	1.97
60	2.36

INOX STAINLESS STEEL METRIC

Code A	Code H	Code K	Description	d1	d2	d3	l	h1	h2	h3	r	s	#
GN.64456	GN.64457	GN.64458	GN 5334.13-40-M8-20-*	40	M8	14	20	24	12	3.2	22.3	2.8	50
GN.64461	GN.64462	GN.64463	GN 5334.13-40-M8-30-*	40	M8	14	30	24	12	3.2	22.3	2.8	53
GN.64466	GN.64467	GN.64468	GN 5334.13-40-M8-40-*	40	M8	14	40	24	12	3.2	22.3	2.8	56
GN.64476	GN.64477	GN.64478	GN 5334.13-50-M10-20-*	50	M10	18	20	30	17	3.9	29.6	3.2	92
GN.64481	GN.64482	GN.64483	GN 5334.13-50-M10-30-*	50	M10	18	30	30	17	3.9	29.6	3.2	97
GN.64486	GN.64487	GN.64488	GN 5334.13-50-M10-40-*	50	M10	18	40	30	17	3.9	29.6	3.2	102
GN.64496	GN.64497	GN.64498	GN 5334.13-60-M12-20-*	60	M12	20	20	38	20	3.9	30.7	3.2	148
GN.64501	GN.64502	GN.64503	GN 5334.13-60-M12-30-*	60	M12	20	30	38	20	3.9	30.7	3.2	156
GN.64506	GN.64507	GN.64508	GN 5334.13-60-M12-40-*	60	M12	20	40	38	20	3.9	30.7	3.2	163
GN.64511	GN.64512	GN.64513	GN 5334.13-60-M12-50-*	60	M12	20	50	38	20	3.9	30.7	3.2	171

\* Complete by adding the index of the version.

# Values referred to version A.